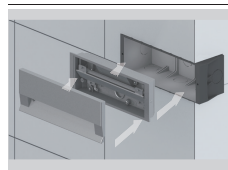




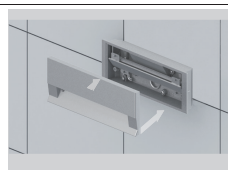
Surface Mounting and Recessed Power LED Wall Light



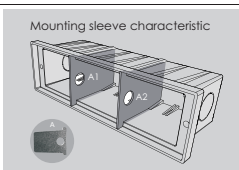
- LED Colour Temperature
- 2000K
 - 3000K
 - 6000K
- Optics
- N/A



Recessed



Mounting

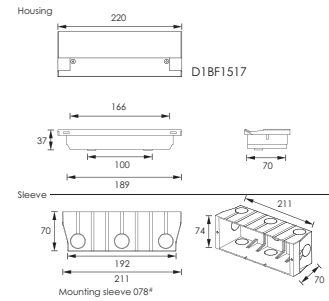


The above picture "A" is the supporting plate used for "mounting sleeve" during the construction installation process to prevent deformation of the sleeve.
The loading way such as A1, A2
Please take out the supporting plate (A1 & A2) from the "mounting box" before installation.



Application Demo

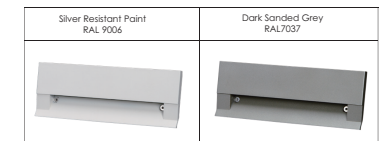
Outer Dimensions



Material specifications

Housing	12° Die-casting grey powder coated aluminum.
Front cover	T=60um Adhesion of ISO class 1/ASTM class 4B
Light Window	12° Die-casting aluminum
Cable gland	IP-47 copper and nicked coated
Gasket	Molding shaped silicone seal
LED Driver	Constant Voltage Input, Constant Current Output
Operating temperature	-20°C~40°C
Power Cable	H05RN-F 2X1.0mm² L=0.5m (low voltage) H05RN-F 3X1.0mm² L=0.5m (high voltage)
Mounting sleeve	ABS 078*
Dimmable Support	Triac PWM 1-10 Dali

Front Cover Color Option



Item	Light source	Input voltage(V)	Typical operating current(MA)	Typical consumption(W)	Typical luminance(lm)
D1BF1517	15 x SMD3030	24V DC 120V/240	24V = 142 120V = 62 240V = 36	24V = 3.9 120V = 4.2 240V = 4.5	Cool white =52 Warm white =49

